



Door Entry & Intercoms

Door Entry

900 series systems



bell
system

Ref No.	Type
P662A	1 way
P662B	2 way
P662C	3 way
P662D	4 Way
P662E	5 way
P662FA	6 way
P662G	7 way
P662H	8 way
P662J	9 way
P662K	10 way
P665	12 way

BELL DOOR ENTRY SYSTEM

Comprising telephone handset(s) with a lock release button, outside surface/flush mounting door station with aluminium tamper resistant plate, name plate, transformer, door release lock and full wiring instructions.

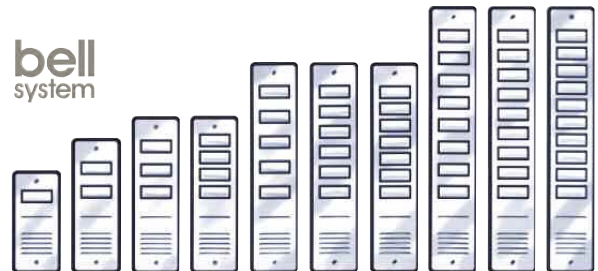
front panels

BELL DOOR ENTRY FRONT PANEL

Replacement panels for 1 to 10 way door entry systems. Panels only (no speech module).



bell
system



Ref No.	Type
SPA1	Bell 1 Way Door Entry Front Panel
SPA2	Bell 2 Way Door Entry Front Panel
SPA3	Bell 3 Way Door Entry Front Panel
SPA4	Bell 4 Way Door Entry Front Panel
SPA5	Bell 5 Way Door Entry Front Panel
SPA6	Bell 6 Way Door Entry Front Panel
SPA7	Bell 7 Way Door Entry Front Panel
SPA8	Bell 8 Way Door Entry Front Panel
SPA9	Bell 9 Way Door Entry Front Panel
SPA10	Bell 10 Way Door Entry Front Panel

BELL DOOR ENTRY FLUSH MOUNTING BACK BOX

A replacement flush mount door entry back box for the Bell 1-10 way door entry system. Back Box only.

bell
system



Ref No.	Type
P663G	Bell 1 Way Door Entry Flush Mounting Back Box
P663H	Bell 2 Way Door Entry Flush Mounting Back Box
P663J	Bell 3-4 Way Door Entry Flush Mounting Back Box
P663K	Bell 5-6-7 Way Door Entry Flush Mounting Back Box
P663L	Bell 8-10 Way Door Entry Flush Mounting Back Box

vandal resistant kits

VRK-4S 4 STATION VANDAL RESISTANT SURFACE MOUNTING KIT

bell
system



EXAMPLE SYSTEM

VRK6S + TRVRK 6 STATION AND TRADESMAN VANDAL RESISTANT FLUSH MOUNTING KIT

bell
system



EXAMPLE SYSTEM

ORDERING INFORMATION:

Order a model VRK1 for a complete single station system.
For multi-way systems order a model VRK'N' where 'N' is the number of stations, e.g. a model VRK14 is a complete 14 station system.

'S' after the reference number indicates surface unit.
For tradesmen entry facility, simply add TRVRK to any given system, e.g. a six station system as shown above with trades facility is a VRK6 + TRVRK (a Time clock is Included).
Engraving and panel layout is confirmed with the customer via an order confirmation sheet.
Delivery is normally 7 days from confirmation of order
For more details please contact our sales office.

A VRK System Comprises...

- * Model 801 telephones for each station.
- * Model VRP'N' stainless steel front door panel
- * Model 61 speech unit.
- * Model 203 surface lock release.
- * 12 V AC fused power supply.
- * Back box (flush or surface where appropriate)
- * Full wiring and installation instructions

CABLE REQUIREMENTS (ALL SYSTEMS):

4 core plus 1 additional core per number of handsets in the system. This must be twisted pair cable, type CW1308. 2 Core bell wire (E450) is required from transformer to door station and 2 core 2192Y (E470) for each door lock.

CUSTOM MADE VANDAL RESISTANT DOOR ENTRY

Available in either Flush mounting or Surface mounting (surface mounting only available up to 25 buttons).

For those areas that may be prone to external vandalism we offer the VRK Series door entry systems. These systems are of similar robust specifications to the 900 series but include a model VRP front door panel instead of the standard SPA range. The model 801 telephones are included as standard for systems up to 20 and we include model 801P privacy telephones on systems with more than 20 stations.

The model 801 wall-mounted telephone is manufactured from high-impact white ABS plastic. It incorporates an AC Buzzer and a push-button for operation of the lock release. The handset cord is coiled with a sleeve at the point of entry to the handset for durability and has a plug-in connector to the telephone base. The 801 telephone with its wide handset is especially recommended for the elderly and for areas with high usage.

The model VRK panel is manufactured from 12 SWG polished stainless steel. All panels are fixed to the back-box by tamper-proof bolts (a special key is required to remove the panel).

A vandal resistant button is provided for each flat with the option of one for tradesmen/service. Each panel is custom engraved to the client's specifications. The engraving of flat numbers is included in the price of each system. However, further engraving (e.g. Block names) can be included at an extra cost.

Panels are made to standard back-box sizes; custom sizes can be accommodated at an extra cost.

ALL VANDAL RESISTANT PANELS ARE SUPPLIED WITH STAINLESS STEEL AS STANDARD. BRASS, ALUMINIUM, CAN BE SUPPLIED IF REQUIRED

Door Entry

combined coded access



bell
system

BELL CS COMBINED CODED ACCESS AND DOOR ENTRY SYSTEM

Combined 1, 2 and 4 way coded access and door entry system. This allows residents or legitimate personnel the means of entry to the building by the operation of an integral keypad at the main entrance panel. The kit comprises aluminium surface mount door panel with keypad module, handsets with door release button, speech unit, power supply, surface lock release and full instruction and programming instructions.

Ref No.	Type
P600CS	1 way
P600CT	2 way
P600CW	3 way
P600CV	4 way



bell
system

P612KP

BELL SLIMLINE STAINLESS STEEL KEYPAD

This keypad is recommended for most environments. Due to its slim dimensions it is ideal for discrete fixing where space is at a premium. It utilises a 2 x 6 matrix instead of the conventional 3 x 4, which allows for a slimmer keypad. Features keypad and buttons in high-grade stainless steel, aluminium surface mount back box, a green and red LED are included for visual indication of operational status, keypad is connected directly to the controller with 10 wires (or 7 if the LEDs are not utilised). Boxed.

Colour. Silver
Dimensions (mm). 27x130x40

coded entry



P612CK

BELL SINGLE DOOR CODED ENTRY KEYPAD SYSTEM

The P612CK allows for controlled access through one door via an independent keypad and lock release. A complete control system for a single door comprises of the following 1 x stainless steel surface keypad, 1 x boxed controller, separate power supply (1 door) and 1 x standard rim lock release. Features include 10 access code, timed outputs for both fail secure and fail safe release mechanisms, and non volatile EPROM memory. Boxed.

bell
system

handsets & accessories

P665M



bell
system

P665PS



P665M

BELL 801 STANDARD DOOR ENTRY HANDSET

Standard door entry handset found in most Bell door entry kits. Boxed. Handset only.

Colour.....White
Dimensions (mm).....63x220x81
Weight (kg).....0.37

P665S

BELL 801 HANDSET WITH MUTE FUNCTION

A replacement 801 handset for Bell Door Entry systems, featuring a mute button.

Boxed. Handset only.

Colour.....White
Dimensions (mm).....63x220x81
Weight (kg).....0.37

P665PS

BELL HANDSET WITH PRIVACY & MUTE FUNCTIONS

Bell deluxe handset for use with most bell products. The unit features heavy duty ABS plastic design and lock release button positioned under the handset to prevent accidental operation, mute switch and privacy function. Boxed.

Colour.....White
Dimensions (mm).....63x220x81



bell
system

P667A
BELL BLP1 BELLINI ONE WAY REPLACEMENT PANEL

Replacement door entry panel designed as part of the Bellini range that can also be used with the standard 900 series Bell door entry systems. The panels are surface mounted and manufactured from anodised aluminium with complementary black plastic trim and chromed push buttons. The front panels are hinged for easy access and the hinges can be used on either side to aid installation in tight locations.

Colour.....Anodised Aluminium
Dimensions (mm).....187x100x38
Weight (kg).....0.19



bell
system

P600T
BELL M88 ACR1 RELAY

Relay unit to enable the use of sounders, bells and the P663D lock release with the M900 range. Boxed.

Colour.....White
Dimensions (mm).....155x106x40



bell
system

P627RT
BELL RT27 EXTENSION TONE FOR AC/DC HANDSET

These units extend the call tone of a door entry telephone to other areas of the premises to improve audibility. The unit is fabricated in white ABS plastic and can be wall mounted in a convenient indoor location. Model RT27 is for extensions to the standard 801 telephones.

Dimensions (mm).....120x98x38



bell
system

P633FB
BELL FB31 FLASHING BEACON WITH TIMER

This unit works with most Bell door entry products and gives visual indication of a call at the door entry telephone. The unit is ideal for the hard of hearing or for areas of high background noise. The beacon includes a timer circuit that can be set between 4 and 20 seconds.

Colour.....White
Dimensions (mm).....60x113x80



bell
system

P633T
BELL 7 DAY AC/DC TIME CLOCK

Bell multi-program time clock enabling the timed activation of tradesman's buttons, etc.

Door Entry

switching units, lock release



bell
system

P663BC
BELL 719S MULTI-DOOR SWITCHING UNIT

This unit allows the operation of a door entry system from two entrances. Several units may be combined to extend operation up to a maximum of eight entrances. When a telephone is called from a given entrance, the switching unit connects the telephone to the speech unit of that panel only for a fixed period (adjustable 25-230 seconds). During this time pressing the lock release button on the telephone will operate the lock of the calling door only. Boxed.

Colour..... Black
Dimensions (mm)..... 43x240x190
Weight (kg)..... 1.34



bell
system

BELL 12 V ELECTRIC LOCK RELEASE

Two mounting plates supplied, one designed to match surface mounted night latch locks (e.g. Union 1028) on inward opening doors, and one suitable for morticed night latch locks (e.g. Union 2332) on inward opening doors. It incorporates a 30 Ohm coil giving release operation from a 12 V AC or DC supply. Available in either Fail Safe or Fail Secure models.

Colour..... Aluminium

Ref No.	Type
P662F	Fail Secure
P663D	Fail Safe

PAGE 130



bell
system

P663V
BELL LS47 WALL MOUNTING LOUDSPEAKER APARTMENT STATION

A wall-mounting, loudspeaker apartment station for use with the P663A Speech Unit. It features two large, pressable pads; one which is pressed to allow two-way speech with visitors and one to operate the lock release. Such ease of use makes it particularly suitable for those who find it difficult to hold a telephone handset. The unit uses standard 5 wire connection and requires a local 12 V DC power supply when used as a replacement for standard handset P665M or when connected to any AC door entry system.

Colour..... Black
Dimensions (mm)..... 34x200x95
Weight (kg)..... 0.33



P663W
BELL LSD47 DESKTOP APARTMENT STATION

As Apartment Station P663V, but features anti-slip feet and is for desktop use only. It comes supplied with 1.95 m cable terminated with an 8P modular plug and surface-mount junction box.

Colour..... Black



bell
system

bell
system



P663EX
BELL 5077 EXIT BUTTON FOR 901 SERIES

A white door release/exit button for the 901 Bell Door Entry System.

Colour..... White

P663U
BELL ALUMINIUM INV203 INVERTER CASE

An inverter case designed for converting lock release P662F or similar, to work with a surface night-latch lock on an outward opening door.

Colour..... Aluminium
Dimensions (mm)..... 34x136x51

power supplies & speech modules



bell
system

P632Y
BELL M225 12 V AC WALL MOUNT POWER SUPPLY

This power supply is a wall mounting double insulated fused transformer for use with door entry telephone systems. It has nominal output of 12 Volt AC @ 2 Amps and incorporates a relay for direct operation of the lock release. Unit is also used for multi-handset systems.

Colour Grey
Dimensions (mm) 110x235x80



bell
system

P632Z
BELL M340 12 V DC WALL MOUNT POWER SUPPLY

A wall mount, fused 12 VDC regulated power supply rated at 1 Amp peak for use on DC door entry systems and access control systems. It can also be used for directly powering fail safe and continuously rated lock releases.

Colour Black
Dimensions (mm) 80x235x105
Weight (kg) 2
Power Input 230 V AC @ 50 Hz



bell
system

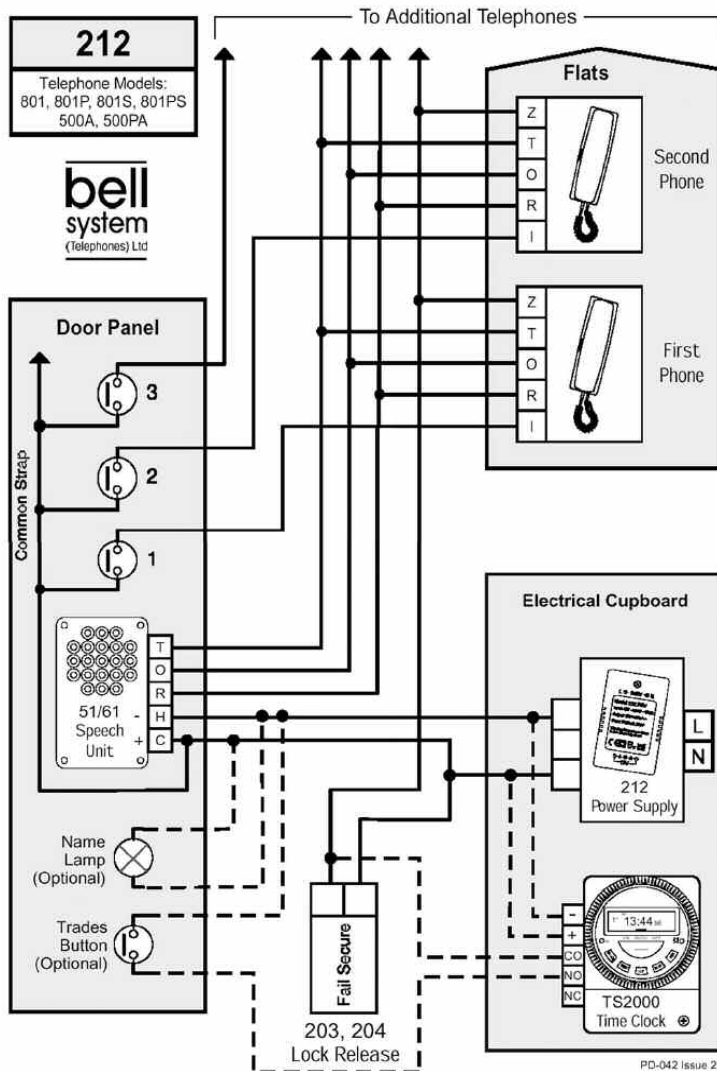
P632T
BELL M300T 12 V AC REPLACEMENT TRANSFORMER

Replacement 12 Volt AC transformer for use with standard and vandal resistant door entry systems.

Colour White
Dimensions (mm) 45x78x55
Weight (kg) 0.3
Power Input 230 V AC @ 50 Hz
Outputs 12/8

wiring diagram*

* AC DOOR ENTRY SYSTEMS OF UP TO 10 HANDSETS



bell
system

P663B
BELL M61 SPEECH MODULE

Provides full duplex speech and is extremely compact due to the use of an electret microphone. This reduced size allows for smaller front door panels (up to 10 push buttons). The totally encapsulated unit is weather resistant. For use with the current range of bell products.

Colour Black
Dimensions (mm) 23x97x59
Weight (kg) 0.1



bell
system

P663A
BELL M51 THK REPLACEMENT SPEECH MODULE

Replacement speech model for use with all M51 (THK) older models (square buttons and separate name) door entry systems to provide full duplex speech between the front door panel and the telephone. Totally encapsulated unit houses weather resistant plastic cone loud speakers and amplifier circuits.

Colour Black
Dimensions (mm) 31x138x81
Weight (kg) 0.19

Door Entry desk intercoms



**P152D
2 STATION INTERCOM**

A 2 station intercom that is an easy to operate and install, wired master/slave system. Compact, modern styled units. Connecting cable supplied. Sold as a pair.

Colour..... White
 Dimensions (mm)..... 47x130x93
 Weight (kg)..... 0.44
 Batteries..... 1 PP3 (not supplied)
 Maximum Transmission Range (m)..... 20



**P152L
KOCOM WHITE HIGH QUALITY SLAVE INTERCOM UNIT**

A high quality desk slave station for use with the P152K and P152J master stations. There is a single call button with an additional privacy button to prevent eavesdropping from the master station.

A volume control is provided for the ring level. Just one power supply is required per system. Adaptor 6 V DC (not supplied), continuous current 30 mA. Requires 2 core cable to each station. Maximum transmission range 200 m.

Colour..... White



**P152K
KOCOM 5 WAY MASTER UNIT - MASTER TO SLAVE ONLY**

A high quality desk master station for use with up to 4 P152L slave stations. There are 4 call buttons each equipped with an LED. A volume control is provided for the ring level. Upon calling a slave unit a connection is opened immediately giving an added monitoring function. Just one power supply is required per system.

Colour..... White

kocom intercoms



**P151AC
KOCOM 6 V DC 2 WAY INTERCOM**

Simple 2 wire 2 handset intercom system that can run from a DC power supply in the master unit or by 4 AA batteries in each handset. Each unit can call and answer the opposing handset.

Colour..... White
 Dimensions (mm)..... 210x92x60
 Weight (kg)..... 0.425
 DC Input (V)..... 6



**P150CA
KOCOM 24 V DC 11 WAY ALL MASTER INTERCOM**

High specification non-private, all master 11 station system which offers duplex operation and only requires 4 core cable for wiring. The system incorporates a paging function enabling announcements to be made over all handsets from a single handset. It operates from a 24 V DC power supply (P007ME not supplied). Can be desk or wall mounted using the bracket supplied.

Colour..... White
 Dimensions (mm)..... 210x92x60
 Weight (kg)..... 0.425
 DC Input (V)..... 24
 Adaptor..... 24 V DC (not supplied)



**P150BA
KOCOM 24 V DC 5 WAY ALL MASTER INTERCOM**

A high-specification non-private, all master 5 station system which offers duplex operation and only requires 4 core cable for wiring. The system also incorporates a paging function enabling announcements to be made over all handsets from a single handset. It operates from a 24 V DC power supply (P007ME not supplied). The unit can be desk top or wall mounted using the bracket supplied.

Colour..... White
 Dimensions (mm)..... 210x92x60
 Weight (kg)..... 0.425
 DC Input (V)..... 24
 Adaptor..... 24 V (not supplied)

2 station handset intercom



P665T
2 STATION HANDSET INTERCOM POWERED
 Ideal for shops, restaurants and in the home; the P665T is a complete 2 station system. One station is designated the master: this has a power indicator and volume control. Stations may be desktop or wall mounted. The system is simply wired using 2 core cable and runs off either batteries or an external power supply. Not compatible with P666 and P666F units.

Colour Cream
Dimensions (mm) 80x210x110
Weight (kg) 0.8
Power Input 6
Batteries 4 x AA (not supplied)
Cable Required 2 Core 0.5 mm ²
Maximum Transmission Range (m) 400



private intercoms



P666
6 STATION MASTER INTERCOM
 The P666 can start as a simple 2 station system and can be added to when necessary, up to a maximum of 6 stations. The product features any number of private conversations, conference facility by invitation, engaged tone, desktop or wall-mounting. Easy wiring into terminal box. Single power supply unit per system required.

Colour Ivory
Dimensions (mm) 80x210x110
Weight (kg) 0.8
DC Input (V) 17
Adaptor P007ME (not supplied)
Cable Required No. of stations plus two wires (0.5 mm ²)
Maximum run (m) 300



P666F
12 STATION MASTER INTERCOM
 The P666F can start as a simple 2 station system and can be added to when necessary, up to a maximum of 12 stations. The product features any number of private conversations, conference facility by invitation, engaged tone, desktop or wall-mounting. Uses one power supply unit per system.

Colour Ivory
Dimensions (mm) 100x220x170
Weight (kg) 1
DC Input (V) 17
Adaptor P007ME (not supplied)
Cable Required No. of stations plus two wires (0.5 mm ²)
Maximum run (m) 300



P666FD
REPLACEMENT HANDSET AND LEAD FOR P666F AND P666
 Replacement handset for use with Eagle intercom P666 and P666F. Bare end.



Door Entry

door chime intercom



**P152E
DOOR CHIME AND INTERCOM**

An attractive door intercom and chime. The intercom features a charming melody door chime and an LED indicator. Easy to wire and includes 20 m of cable.

Colour White
 Dimensions (mm) Outdoor Call Point: 85x25x65 Internal Speaker: 135x105x55
 Batteries 4 x C (not supplied)
 Maximum Transmission Range (m) 20

door phone intercom



**P151DA
DOOR PHONE INTERCOM KIT**

High quality door phone with chime and LED indicator. The product features ABS plastic handset, door release button (requires door release lock not supplied), LED indicator and a robust weather resistant outside station. The handset can be either wall or desk mounted and is ideal for both office and domestic use. Supplied with 20 m cable and wall mounting kit.

Colour Cream
 Dimensions (mm) 230x80x80
 Weight (kg) 1
 Power Input, 8-12 V AC or DC

hands-free wireless intercom



**P159G
WHITE HANDS-FREE 3 CHANNEL WIRELESS INTERCOM**

An ideal, stylish communication system for the home office small business or as a nursery monitor. Features include two way hands free operation, indicator lights for talk and power on, adjustable volume switch and channel selector switch. This unit works by transmitting down the mains cable and communicating with other units on the same ring main. Sold and priced in pairs.

Colour White
 Dimensions (mm) 60x154x141
 Weight (kg) 0.34
 Power Input 230 V AC @ 50 Hz
 Frequencies Transmits on 99k
 Frequency Response (Hz) 125-3000
 Outputs 4.5 W
 Type Modulation FM